

# 1900 Discs / Hour Replace Labor & Automate the Clean

LCD touch screen, operating experience  
with smartphone system



## Smart Protection & Automatic Reset System

Automatically detects abnormal disc movement or resistance during operation. It immediately stops to prevent damage and automatically resets once the issue is resolved. Safe, Efficiency and Consistant





SINCE 1993

## SPECIFICATION

### Specifications:

#### Model

TSM- D1

#### Input

AC100-240V

#### Power Consumption

1200W

#### Capacity

1900 Discs / hour

#### Water Usage

100 Liters / Hour

#### Liquid Pump:

0.4-1.5 Liters / Hour

#### Weight

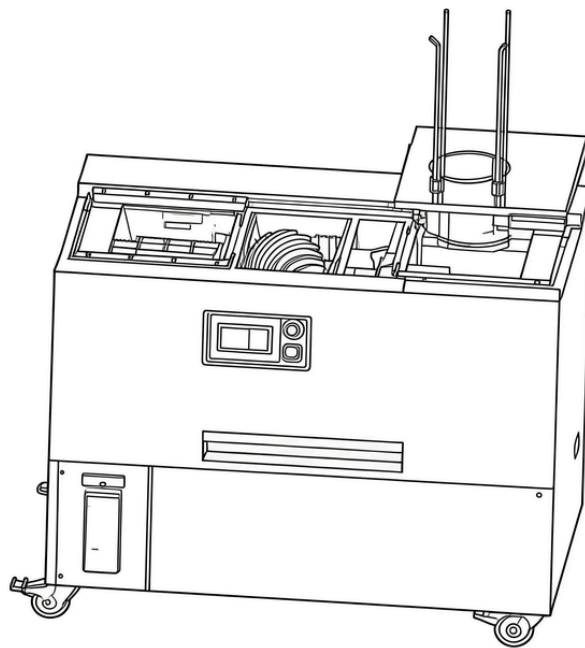
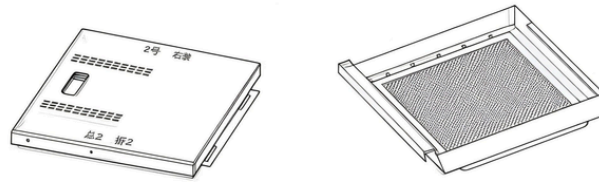
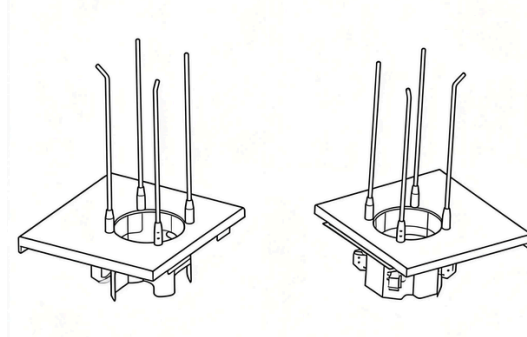
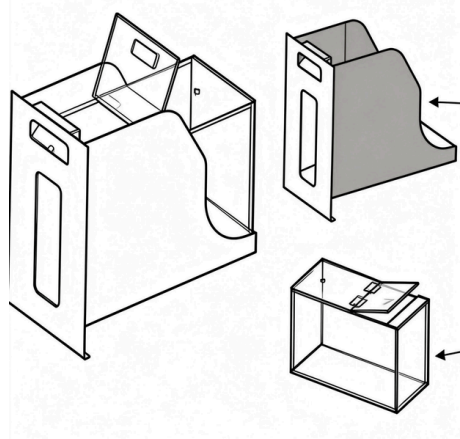
190kg

#### Machine dimensions (in mm)

Width: 995mm

Depth: 555mm

Height: 1300mm



## FEATURE

- **Commercial Automatic Dishwasher**

Designed for high-efficiency restaurant dish cleaning, up to 1900discs/hour

- **Powerful Cleaning System**

High-pressure washing removes grease and food residue

- **Efficient Water Circulation**

Optimized water flow improves cleaning performance

- **Heavy-Duty Industrial Build**

190kg stainless structure ensures durability and stability

- **Easy Operation Control Panel**

Simple interface for quick machine operation

- **Removable Parts for Cleaning**

Key components detachable for easy maintenance

- **Cover opening safety protection**

Machine stops immediately when safety cover is removed

## TSM-S2

# SUSHI RICE & VINEGAR MIXER

## AFTER-SALES SUPPORT

Two Year Warranty

24/7 Technical Support

Lifetime Maintenance

Spare parts replacement

## CONTACT US

Tel:+61 485 590 361

Email: [sanheaustralia@outlook.com](mailto:sanheaustralia@outlook.com)

Website: [www.conveyor-sushi.com](http://www.conveyor-sushi.com)

Address: 10 Harrow Ct,

Doncaster, VIC, 3108, Australia